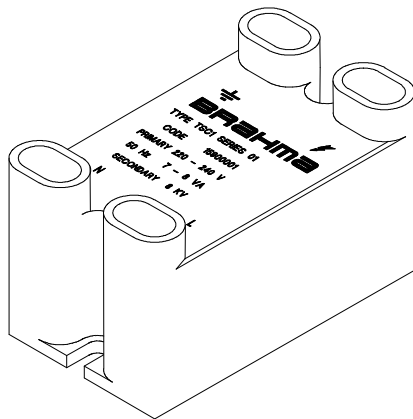


TSC... SERIES

CAPACITIVE-DISCHARGE IGNITORS



DESCRIPTION

The devices of this series are capacitive-discharge ignitors for continuous operation, suitable for gas combustion in atmospheric burners. The two available types essentially differ for their spark frequency and its energy: 50Hz - 45mJ for the TSC1, 25Hz - 15mJ for the TSC; remember that the ignition power of a capacitive-discharge ignitor is directly proportional to its discharge energy.

Thanks to its high discharge energy the TSC1 is suitable even for the applications in which normal capacitive-discharge ignitors are not effective. The plastic case and an internal epoxy resin casting grant an adequate insulation.

Notes:

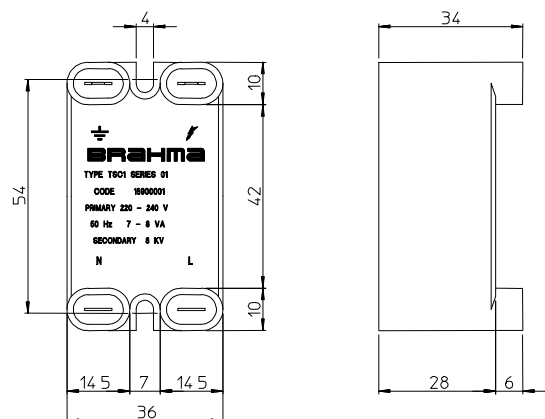
- Remember that an excessively long ignition cable connected to the ignitor can lead to a discharge energy reduction, because of the production of a parasitic capacity between the cable and the nearby ground planes.
- Avoid laying the ignition cable next to other conductors: energy transfer between close conductors due to parasitic capacity phenomena could damage connected devices, especially the electronic ones.

TECHNICAL FEATURES

- Power supply: 220-240Vac/50Hz
110Vac/50Hz
- Weight: 80g
- High voltage connectors: fast-on 2,8x0,5
- Supply connectors: fast-on 6,35x0,8

Type	Available discharge voltage	Discharge frequency	Discharge energy	Power consumption
TSC	20KV	25Hz	15mJ	2.5VA
TSC1	15KV	50Hz	45mJ	7VA
TSC1/Z	4KV	50Hz	45mJ	7VA

OVERALL DIMENSIONS



ERGIO CONTROLES
 La Rioja 511
 Cordoba. Argentina. CP:X5000EVK
 Tel/Fax: 0351-4250787
<http://www.ergiocontroles.com>
 E-mail : ergiocontroles@ergiocontroles.com

03/03/17 Subject to amendments without notice